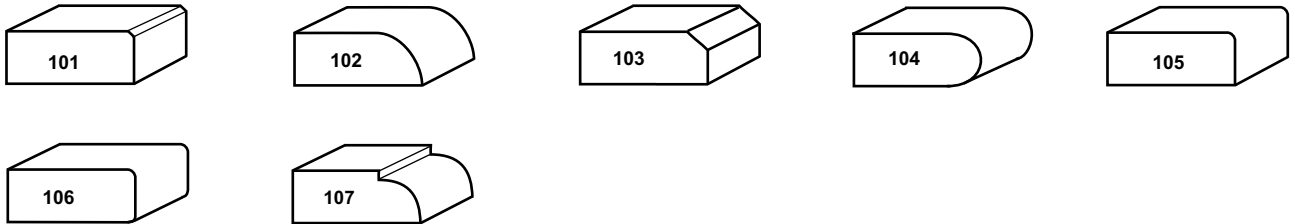
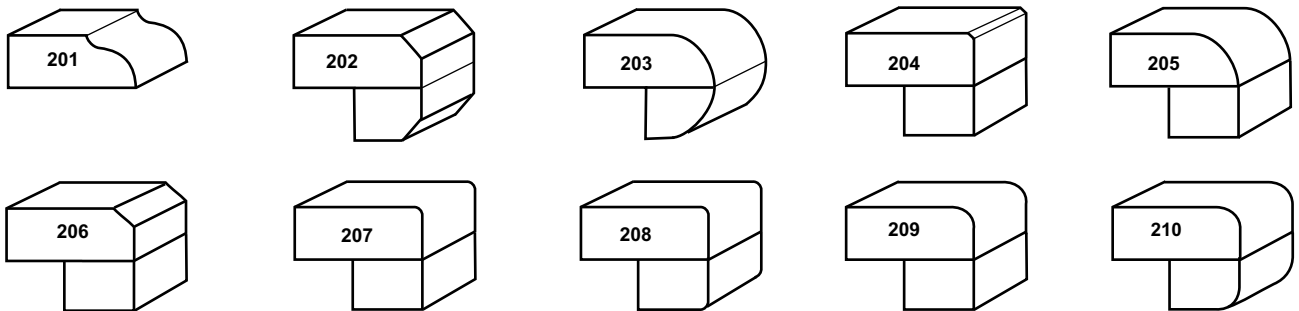

STONE EDGE PROFILES

Note: • $\frac{3}{4}$ " or $1\frac{1}{4}$ " edge 100 series or 201 ONLY.
• $1\frac{1}{2}$ " Build up edge 200, 300 or 400 series.

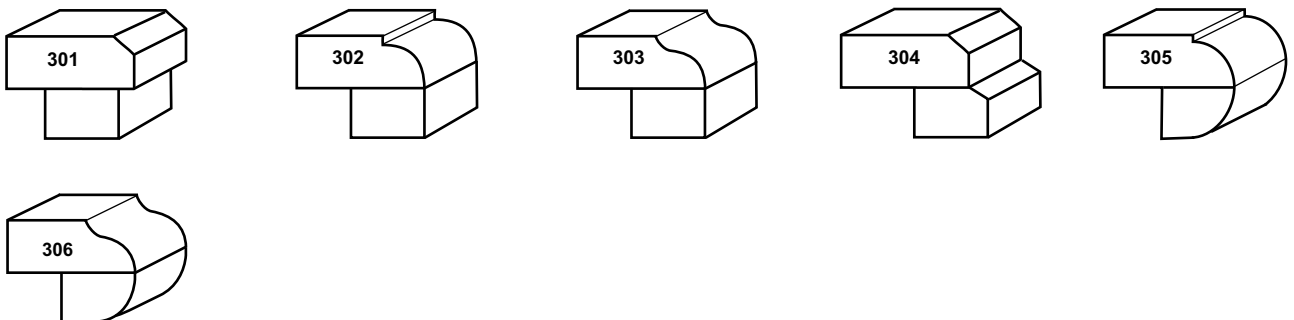
SERIES 100 $\frac{3}{4}$ " or $1\frac{1}{4}$ " Standard Edge



SERIES 200 $1\frac{1}{2}$ " Standard Edge



SERIES 300 $1\frac{1}{2}$ " Upgraded Edge



SERIES 400 $1\frac{1}{2}$ " Upgraded Edge

